

# "KC"



Electric pumps

**Sealand Electric Pumps South Africa**

44 Agaat Str, Nirvana Industrial, Polokwane, Limpopo Province, South Africa, 0699



+27 87 150 2772



+27 86 647 3047



info@sealand.co.za



www.sealand.co.za

## **CENTRIFUGAL ELECTRIC PUMPS ONE IMPELLER 1"1/2**

The close-coupled centrifugal electric pumps with one impeller series KC have been designed to pump clear liquids, without abrasives and suspended solids, non-explosive or aggressive for the pump's materials

- Liquid temperature not higher than 35 °C for domestic use (CEI EN 60335-2-41) or 90 °C for other use, while the ambient temperature must not be higher than 40 °C
- Flow rate up to ~ 21 m<sup>3</sup>/h
- Heads up to ~ 35 m

### **TECHNICAL FEATURES**

- Pump body: cast iron G20 with anti-corrosive coating
- Motor bracket: cast iron G20 with anti-corrosive coating
- Impeller: stamped brass UNI-EN 12165
- Pump shaft: stainless steel Aisi 304
- Mechanical seal: carbon-ceramics

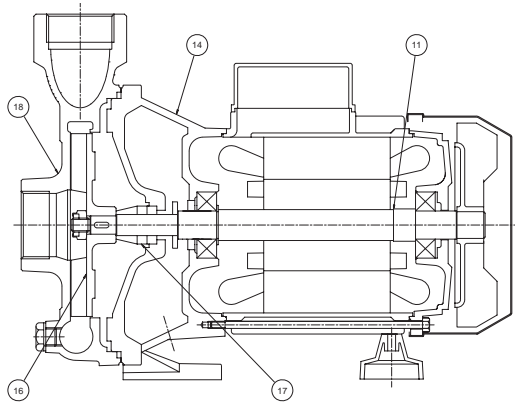
### **MOTOR**

The control motors are asynchronous, squirrel cage-type, closed, with external ventilation

- Incorporated motor protection and capacitor always on, for single-phase models
- The motor protection for three-phase models must be installed by the customer. Equipment compliant with current standards should be used
- Class of insulation: F-service: S1-Degree of protection: IP 44
- Terminal board protection: IP 54



### SPARE PARTS LIST



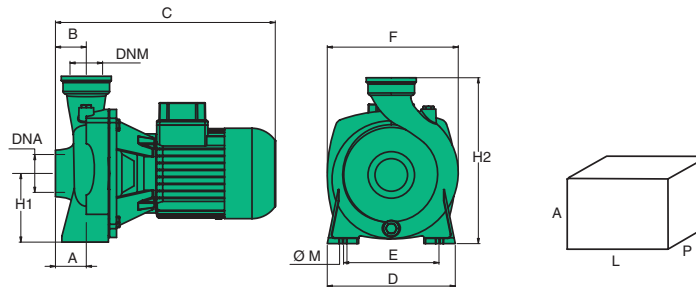
- 11 Pump shaft + rotor
- 14 Outlet bracket
- 16 Impeller
- 17 Mechanical seal
- 18 Pump body

## 50 Hz - min<sup>-1</sup> ~ 2900

TYPE		Nominal power		Input power [W]		Capacitor 450 V max	Input current [A]			Capacity								
Single-phase	Three-phase	kW	HP	a	b	[μF]	1~230V	3~230V	3~400V	Q [m <sup>3</sup> /h]	0	3	6	9	12	15	18	21
a	b									Q [l/s]	0	50	100	150	200	250	300	350
										Total head (m W.C.)								
										H [m]	24.5	24.3	23.7	22.8	21.5	19.8	17.7	15.2
										H [m]	30.1	29.4	28.6	27.4	26.1	24.5	22.7	20.7
										H [m]	35.5	34.4	33.0	31.4	29.6	27.5	25.3	22.8

a) ~ Single-phase 230 V

b) ~ Three-phase 230/400 V



TYPE	DIMENSIONS [mm]											PACKING [mm]			WEIGHT [kg]
	A	B	C	D	E	F	∅ M	H1	H2	DNA	DNM	A	L	P	
KC 150	33	54	370	223	160	230	11	118	292	1"1/2	1"1/2	350	430	240	24.5
KC 200	33	54	382	223	160	230	11	118	292	1"1/2	1"1/2	350	430	240	25.4
KC 300	33	54	382	223	160	230	11	118	292	1"1/2	1"1/2	350	430	240	26.4

$\text{min}^{-1} \sim 2900$

