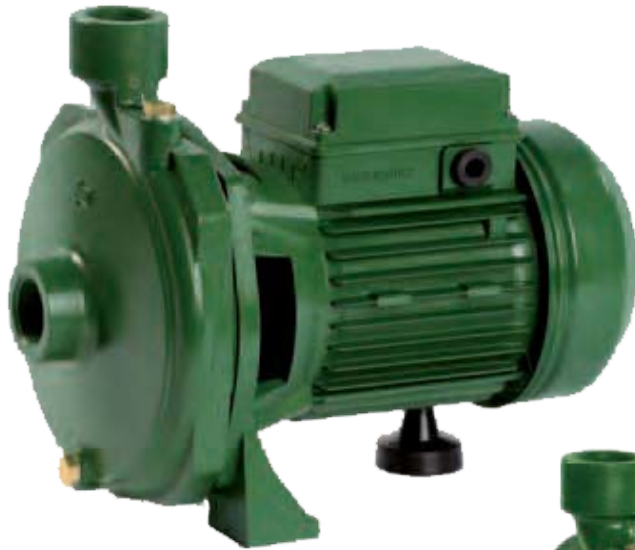


"K"



CENTRIFUGAL ELECTRIC PUMPS ONE IMPELLER

The close-coupled centrifugal electric pumps with one impeller series K have been designed to pump clear liquids, without abrasives and suspended solids, non-explosive or aggressive for the pump's materials

- Liquid temperature not higher than 35 °C for domestic use (CEI EN 60335-2-41) or 90 °C for other use, while the ambient temperature must not be higher than 40 °C
- Flow rate up to ~ 18 m³/h
- Heads up to ~ 60

TECHNICAL FEATURES

- Pump body: cast iron G20 with anti-corrosive coating
- Motor bracket: in die casting aluminium UNI 5076 (cast iron for K 50, 150-550)
- Impeller: Techno-polymer (stamped brass UNI- EN 12165 for K 150-550)
- Pump shaft: stainless steel Aisi 304 (Aisi 420 F for K 50-100)
- Mechanical seal: carbon-ceramics

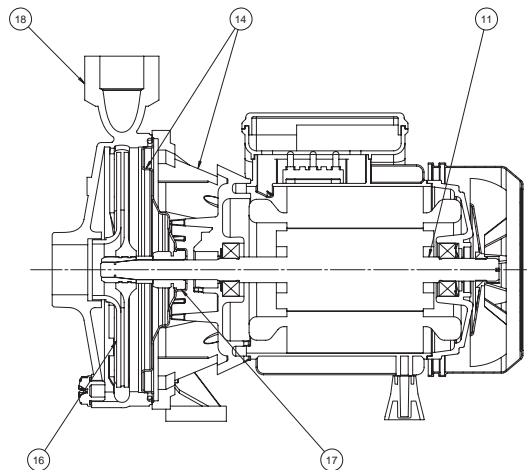
MOTOR

The control motors are asynchronous, squirrel cage-type, closed, with external ventilation

- Incorporated motor protection and capacitor always on, for single-phase models
- The motor protection for three-phase models must be installed by the customer. Equipment compliant with current standards should be used
- Class of insulation:F-service:S1-Degree of protection: IP 44
- Terminal board protection: IP 54



SPARE PARTS LIST



- 11 Pump shaft + rotor
- 14 Outlet bracket
- 16 Impeller
- 17 Mechanical seal
- 18 Pump body

50 Hz - min⁻¹ ~ 2900

TYPE		Nominal power		Input power [W]		Capacitor 450 V max			Input current [A]			Capacity						
Single-phase	Three-phase	kW	HP	a	b	[μF]	1~230V	3~230V	3~400V	Q [m ³ /h]	0	1,2	2,4	3,6	4,8	6	7,8	
a	b									Q [l/s]	0	20	40	60	80	100	130	
K 50 M	K 50 T	0,37	0,5	680	710	10	2,6	1,9	1,1	Total head (m W.C.)								
K 80 M	K 80 T	0,6	0,8	1170	1040	16	4,8	3,2	1,8									H [m]
K 100 M	K 100 T	0,75	1	1450	1990	20	5,8	4	2,3	H [m]	30,0	29,0	28,0	25,5	22,5	18		
										H [m]	33,0	32,0	30,5	28,0	25,0	20,5	12,5	

a) ~ Single-phase 230 V

b) ~ Three-phase 230/400 V

TYPE		Nominal power		Input power [W]		Capacitor 450 V max			Input current [A]			Capacity						
Single-phase	Three-phase	kW	HP	a	b	[μF]	1~230V	3~230V	3~400V	Q [m ³ /h]	0	2,4	4,8	7,2	9	10,2	10,8	
a	b									Q [l/s]	0	40	80	120	150	170	180	
K 151 M	K 151 T	1,1	1,5	1980	1990	31,5	9	6	3,5	Total head (m W.C.)								
K 200 M	K 200 T	1,47	2	2730	2630	45	12	8,3	4,8									H [m]
K 300 M	K 300 T	2,2	3	3100	2970	55	13,6	8,9	5,1	H [m]	47,4	45,9	41,3	33,7	24,2	16,1	10	
										H [m]	52,9	51,5	47,2	40,1	32,8	24	19,5	

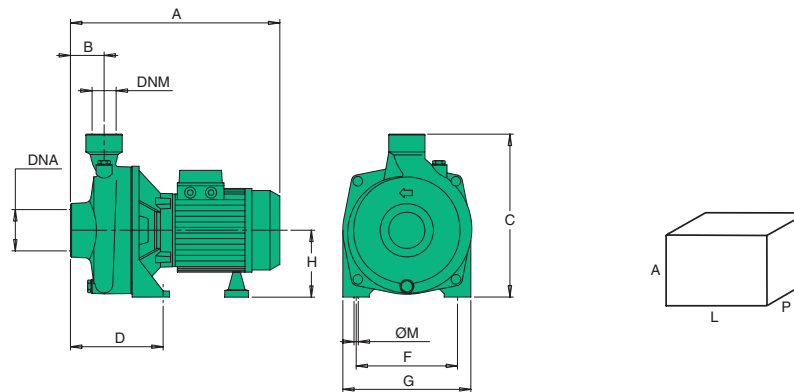
a) ~ Single-phase 230 V

b) ~ Three-phase 230/400 V

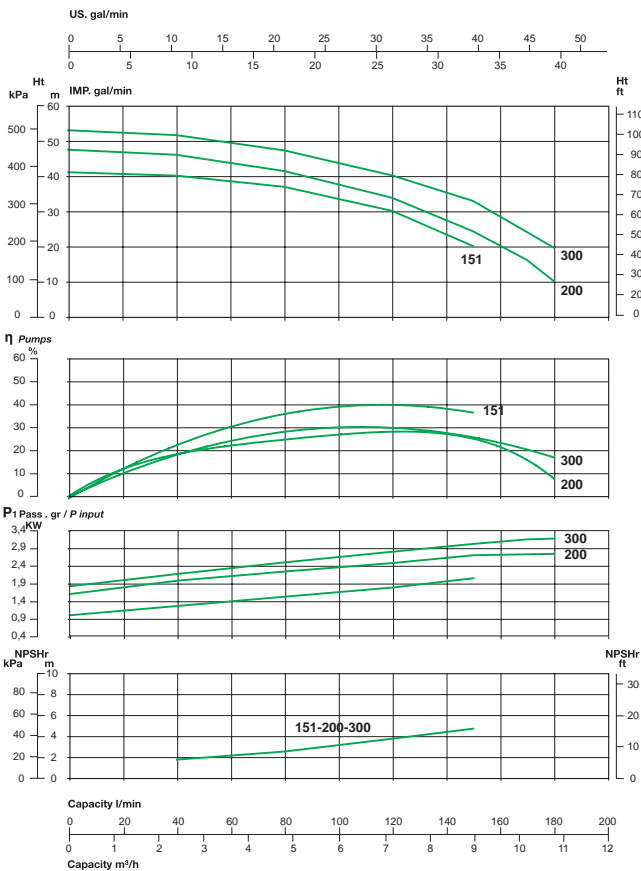
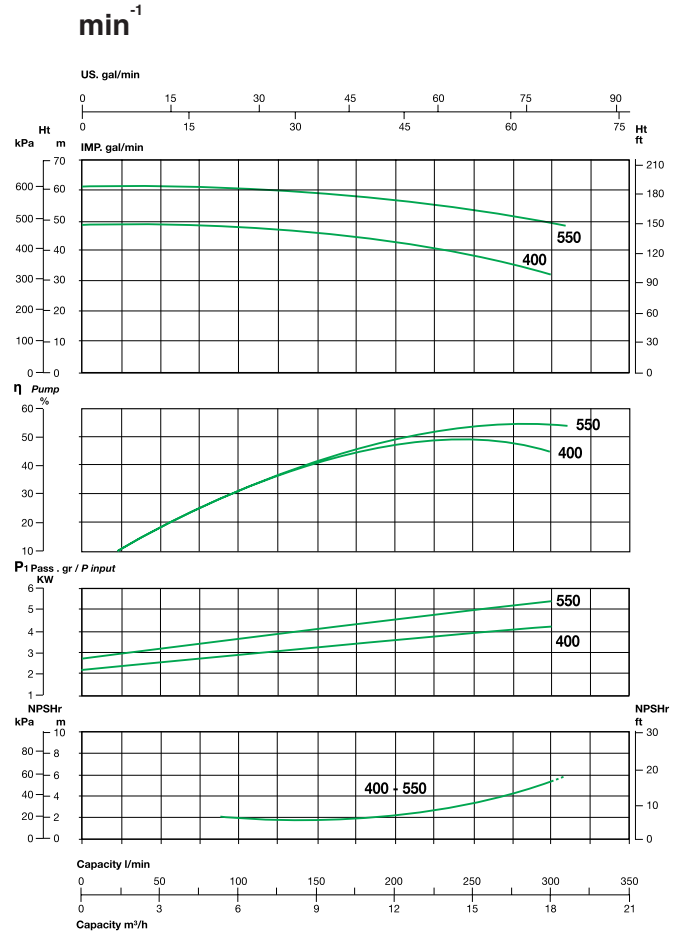
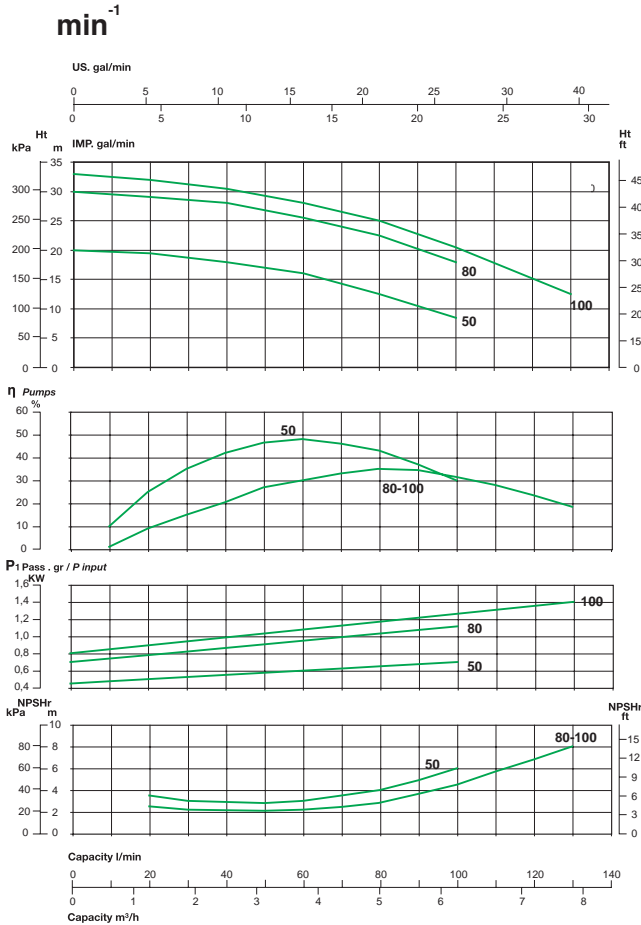
TYPE		Nominal power		Input power [W]		Capacitor 450 V max			Input current [A]			Capacity						
Single-phase	Three-phase	kW	HP	a	b	[μF]	1~230V	3~230V	3~400V	Q [m ³ /h]	0	3	6	9	12	15	18	
a	b									Q [l/s]	0	50	100	150	200	250	300	
K 400 M	K 400 T	3	4	4180	4470	70	18	13,5	7,8	Total head (m W.C.)								
-	K 550 T	4	5,5	-	5860	-	-	19	10,2									H [m]
										H [m]	61,0	61,0	60,0	59,0	57,0	54	49,5	

a) ~ Single-phase 230 V

b) ~ Three-phase 230/400 V



TIPO TYPE	DIMENSIONS [mm]										PACKING [mm]			WEIGHT [kg]
	A	B	C	D	F	G	Ø	H	DNA	DNM	A	L	P	
K 50	265	45	206	103	124	164	9	85	1"	1"	220	180	280	8,5
K 80	283	45	237	105	140	180	9	97	1"	1"	255	200	310	12,5
K 100	283	45	237	105	140	180	9	97	1"	1"	255	200	310	14
K 151	344	47	262	107	149	199	11	110	1" 1/4	1"	270	215	375	20,5
K 200	373	52	294	30	160	223	11	118	1" 1/4	1"	350	430	240	26,2
K 300	373	52	294	30	160	223	11	118	1" 1/4	1"	350	430	240	25,5
K 400	442	57	340	93	200	250	14	150	1" 1/2	1" 1/4	380	330	530	44,5
K 550	442	57	340	93	200	250	14	150	1" 1/2	1" 1/4	380	330	530	46,5



Sealand Electric Pumps South Africa

44 Agaat Str, Nirvana Industrial, Polokwane, Limpopo Province, South Africa, 0699



+27 87 150 2772



+27 86 647 3047



info@sealand.co.za



www.sealand.co.za