



- Liquid temperature: 0 - 40°C/32 - 104°F
- HP range: 1/5 - 2HP / 0.15 - 1.5 KW
- PH: 6 - 8
- Rated Speed: 2900 rpm
- Protection calss: IP68
- Maximum depth: 8M

Features

1. Non-clogging vortex impeller.
2. Suspended impeller and high efficacy flow channel design, no blocking. The pass solid is 40mm.

Applications

1. Industrial sewage discharge
2. Sawage and wastewater discharge



SV - 250

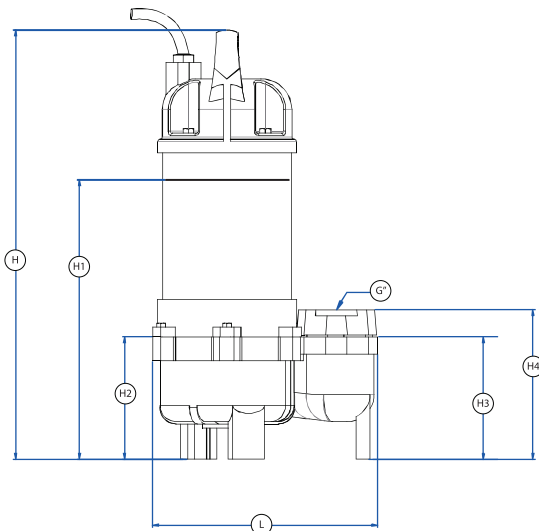
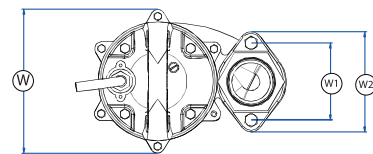


USE FOR 380V

Specification

Model No.	Output HP	Outlet W mm	Outlet Inch	Pass Solid Dia(mm)	Max Flow(LPM)	LPM Flow @ Head					Max Head (M)	Weight (Kg)	
						1.5M	3M	4.5M	6M	7.5M			
SV-150	1-5	150	40	1-1/2"	27	170	165	140	90	-	-	6	8
SV-250	1-3	250	40	1-1/2"	27	220	215	190	150	90	-	7.5	9
SV-400	1-2	400	50	2"	35	350	340	305	260	200	110	8.5	11

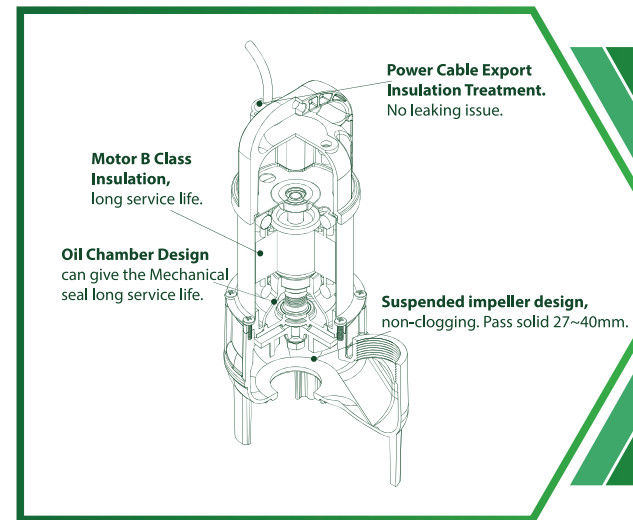
Model No.	Output HP	Outlet W mm	Outlet Inch	Pass Solid Dia(mm)	Max Flow(LPM)	LPM Flow @ Head					Max Head (M)	Weight (Kg)	
						1.5M	3M	6M	9M	12M			
SV-550	3-4	550	80	3"	35	370	355	320	210	-	-	9	17
SV-750	1	750	80	3"	37	415	410	385	310	180	-	11	18
SV-1500	2	1500	80	3"	40	700	690	650	560	450	300	16	31



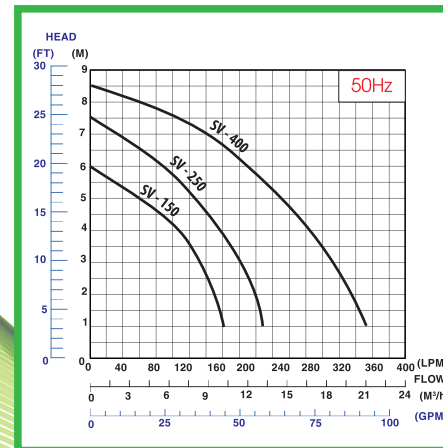
Dimension

Model	Dimension									
	L	W	W1	W2	H	H1	H2	H3	H4	G
SV-150	196	140	83	108	380	220	99	99	124	1.5
SV-250	196	140	83	108	380	220	99	99	124	1.5
SV-400	210	157	83	108	395	240	113	113	138	2
SV-550	260	165	117	141	426	250	115	103	130	2
SV-750	260	165	117	141	460	260	115	103	130	3
SV-1500	310	200	117	141	560	350	142	142	170	3

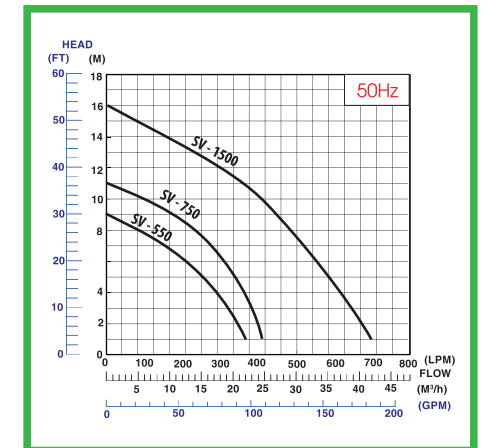
Sectional View



Curve



Curve



Standard Accessories

Model No.	Accessories
SV-150	Flange - Hose connection
SV-250	Flange - Hose connection
SV-400	Flange - Hose connection
SV-550	Flange - Hose connection
SV-750	Flange - Hose connection
SV-1500	Flange - Hose connection

Construction

Construction					
NO.	Description	Materia	NO.	Description	Materia
01	Top Cover	NYLON+GF	14	Oil Seal	NBR
02	Upper Bearing Cover	FC200	15	Upper Packing	NBR
03	Motor Housing	SUS304	16	O-Ring	NBR
04	Rotor and Shaft	SUS410	17	O-Ring	NBR
05	Stator	Laminated Steel	18	Hex Screw	SUS304
06	Lowering Bearing Housing	FC200	19	Long Rod Screw	SUS304
07	Seal Plate	FC200	20	Big Cap Screw	SUS304
08	Impeller	FC200	21	Nut	SUS304
09	Pump Casing	FC200	22	Washer	SUS304
10	Capacitor		23	Key	NBR
11	Upper Bearing	CNM5K	24	Discharge Connection	ABS
12	Lower Bearing	CNM5K	25	Discharge Adapter	PP+GF
13	Mechanical Seal	CA/CE	26	Float Switch Ball	PP+GF

