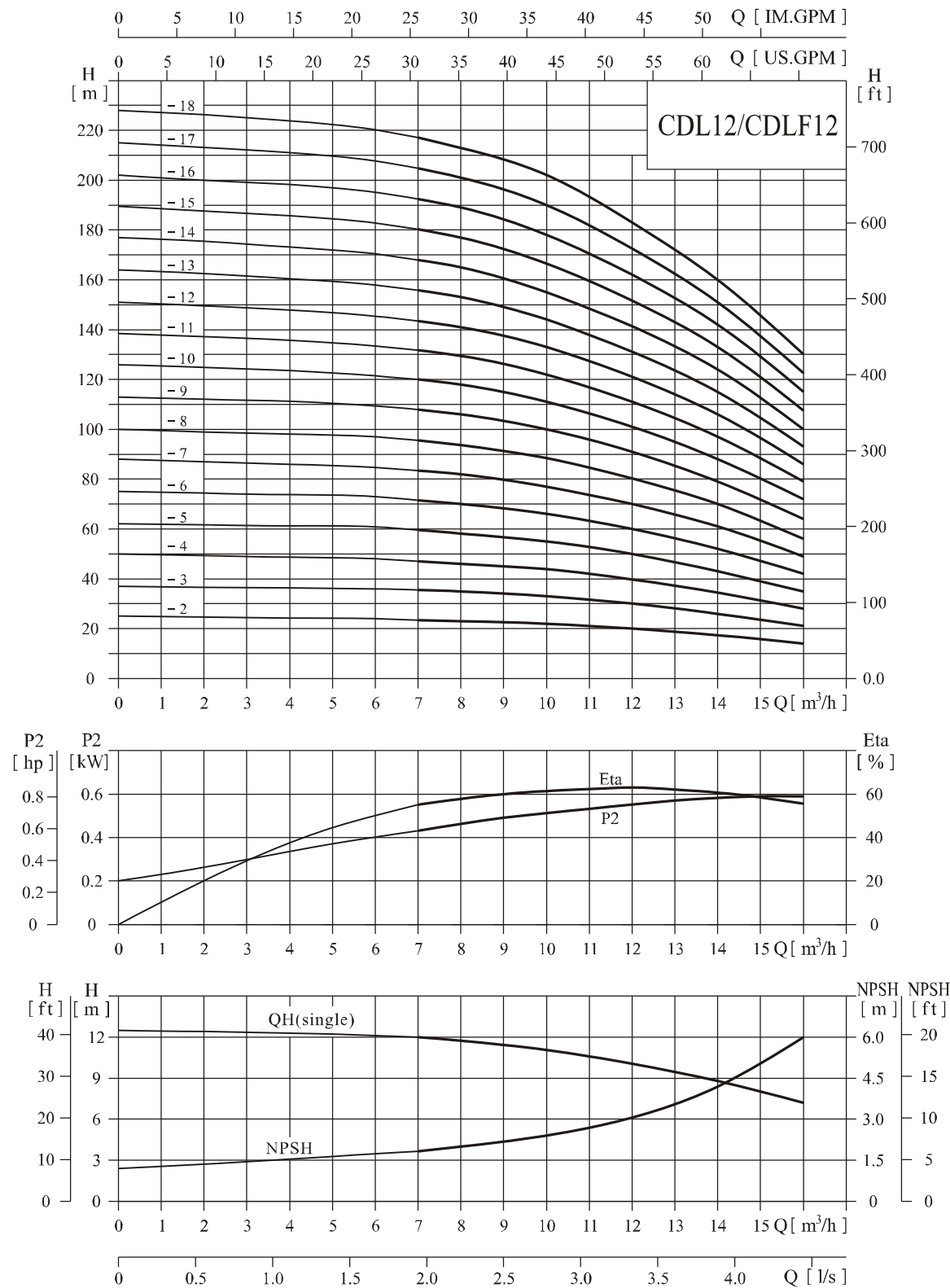


## ● Performance curve

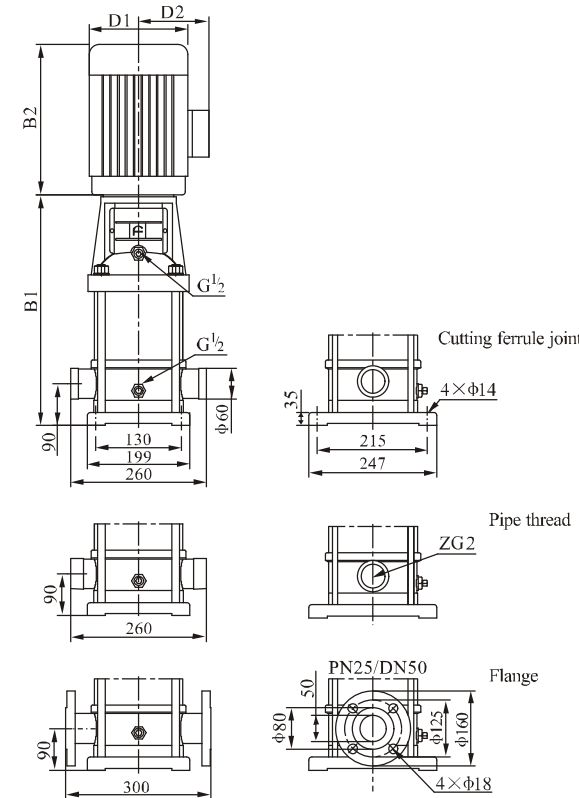
ISO9906 Annex A 2900rpm



## ● Performance table

| Model    | Driving motor |      | Q (m³/h) | 7     | 8   | 9     | 10  | 11    | 12  | 13    | 14  | 15    | 16  |
|----------|---------------|------|----------|-------|-----|-------|-----|-------|-----|-------|-----|-------|-----|
|          | (kW)          | (hp) |          |       |     |       |     |       |     |       |     |       |     |
| CDL12-2  | 1.5           | 2    |          | 23.5  | 23  | 22.5  | 22  | 21    | 20  | 18.5  | 17  | 15.5  | 14  |
| CDL12-3  | 2.2           | 3    |          | 35.5  | 35  | 34    | 33  | 31.5  | 30  | 28    | 26  | 23.5  | 21  |
| CDL12-4  | 3             | 4    |          | 47    | 46  | 45    | 44  | 42    | 40  | 37    | 34  | 31    | 28  |
| CDL12-5  | 3             | 4    |          | 59.5  | 58  | 56.5  | 55  | 52.5  | 50  | 46.5  | 43  | 39    | 35  |
| CDL12-6  | 4             | 5.5  |          | 71.5  | 70  | 68    | 66  | 63    | 60  | 56    | 52  | 47    | 42  |
| CDL12-7  | 5.5           | 7.5  |          | 83.5  | 82  | 79.5  | 77  | 73.5  | 70  | 65.5  | 61  | 55    | 49  |
| CDL12-8  | 5.5           | 7.5  |          | 95.5  | 94  | 91    | 88  | 84    | 80  | 75    | 70  | 63    | 56  |
| CDL12-9  | 5.5           | 7.5  |          | 108   | 106 | 103   | 100 | 95.5  | 91  | 85    | 79  | 71.5  | 64  |
| CDL12-10 | 7.5           | 10   |          | 120   | 118 | 114.5 | 111 | 106   | 101 | 94.5  | 88  | 80    | 72  |
| CDL12-12 | 7.5           | 10   |          | 143.5 | 141 | 137   | 133 | 127   | 121 | 113.5 | 106 | 96    | 86  |
| CDL12-14 | 11            | 15   |          | 168   | 165 | 160   | 155 | 148   | 141 | 132.5 | 124 | 112   | 100 |
| CDL12-16 | 11            | 15   |          | 192.5 | 189 | 183.5 | 178 | 170   | 162 | 152   | 142 | 128.5 | 115 |
| CDL12-18 | 11            | 15   |          | 217   | 213 | 207.5 | 202 | 192.5 | 183 | 171.5 | 160 | 145   | 130 |

## ● Installation sketch



## ● Size and weight

| Model    | Size (mm) |     |       |     |     | Weight (kg) |
|----------|-----------|-----|-------|-----|-----|-------------|
|          | B1        | B2  | B1+B2 | D1  | D2  |             |
| CDL12-2  | 367       | 290 | 657   | 190 | 155 | 36          |
| CDL12-3  | 397       | 290 | 687   | 190 | 155 | 39          |
| CDL12-4  | 437       | 315 | 752   | 197 | 165 | 46          |
| CDL12-5  | 467       | 315 | 782   | 197 | 165 | 47          |
| CDL12-6  | 497       | 335 | 832   | 230 | 188 | 57          |
| CDL12-7  | 547       | 430 | 977   | 260 | 208 | 75          |
| CDL12-8  | 577       | 430 | 1007  | 260 | 208 | 75          |
| CDL12-9  | 607       | 430 | 1037  | 260 | 208 | 77          |
| CDL12-10 | 637       | 430 | 1067  | 260 | 208 | 77          |
| CDL12-12 | 697       | 430 | 1127  | 260 | 208 | 79          |
| CDL12-14 | 845       | 490 | 1335  | 330 | 255 | 150         |
| CDL12-16 | 905       | 490 | 1395  | 330 | 255 | 150         |
| CDL12-18 | 965       | 490 | 1455  | 330 | 255 | 152         |

The overall dimensions of the single-phase motor and explosion-proof motor are a little different. Pls contact us for details.