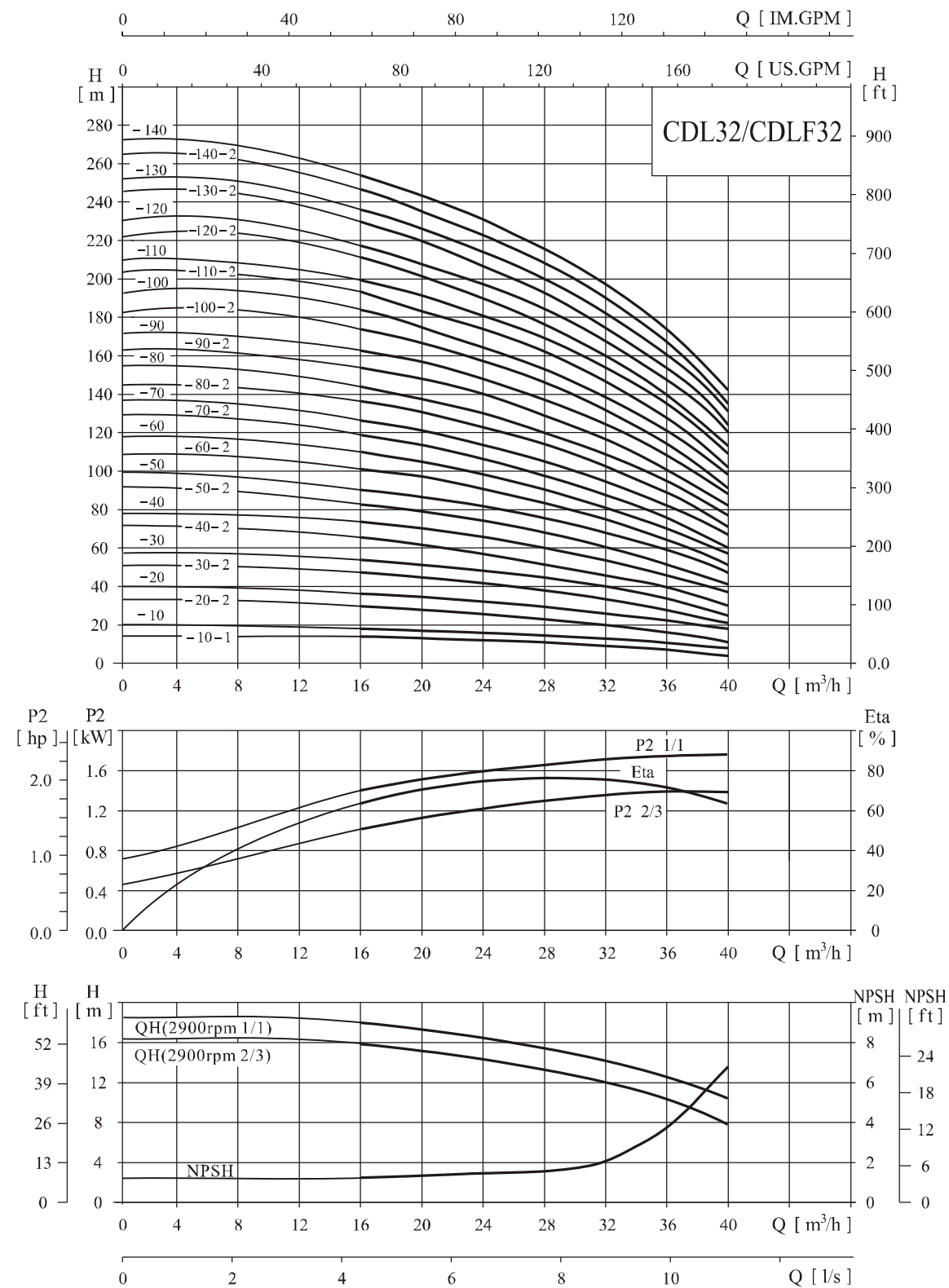


● Performance curve

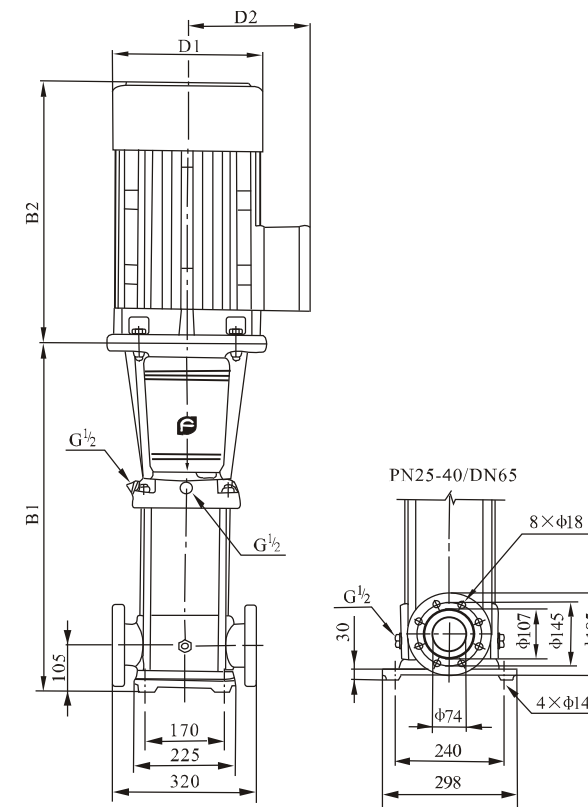
ISO9906 Annex A 2900rpm



● Performance table

Model	Driving motor		Q (m³/h)	16	20	24	28	32	36	40	Model	Driving motor		Q (m³/h)	16	20	24	28	32	36	40
	(kW)	(hp)										(kW)	(hp)								
CDL32-10-1	1.5	2	H (m)	14	13	12	11	9	7	4	CDL32-80-2	15	20	H (m)	136	131	123	114	102	90	71
CDL32-10	2.2	3		18	17	15	14	13	11	8	CDL32-80	15	20		144	138	130	120	109	97	77
CDL32-20-2	3.0	4		29	28	26	23	20	16	11	CDL32-90-2	18.5	25		154	148	140	129	117	102	82
CDL32-20	4.0	5.5		36	34	32	29	27	23	18	CDL32-90	18.5	25		162	156	147	136	124	109	88
CDL32-30-2	5.5	7.5		47	44	41	38	33	28	21	CDL32-100-2	18.5	25		175	166	157	146	131	115	91
CDL32-30	5.5	7.5		54	51	48	44	40	35	27	CDL32-100	18.5	25		182	173	164	152	138	122	98
CDL32-40-2	7.5	10		65	62	58	53	46	40	30	CDL32-110-2	22	30		193	184	173	164	146	128	102
CDL32-40	7.5	10		72	69	65	59	53	47	37	CDL32-110	22	30		200	191	180	168	153	135	109
CDL32-50-2	11	15		83	79	74	68	60	52	41	CDL32-120-2	22	30		211	201	189	178	160	140	113
CDL32-50	11	15		90	86	81	74	67	59	47	CDL32-120	22	30		218	208	196	184	167	147	120
CDL32-60-2	11	15		101	97	90	83	74	65	51	CDL32-130-2	30	40		230	218	206	193	174	153	124
CDL32-60	11	15		108	104	97	90	81	72	57	CDL32-130	30	40		237	225	213	200	181	160	131
CDL32-70-2	15	20		119	114	107	98	88	78	60	CDL32-140-2	30	40		247	235	222	210	189	165	135
CDL32-70	15	20		126	121	113	105	95	85	67	CDL32-140	30	40		255	242	229	216	196	172	142

● Installation sketch



● Size and weight

Model	Size (mm)					Weight (kg)
	B1	B2	B1+B2	D1	D2	
CDL32-10-1/CDL32-10	505	290	795	190	155	68/71
CDL32-20-2/CDL32-20	575	315/335	890/910	197/230	165/180	78/84
CDL32-30-2/CDL32-30	645	430	1075	260	208	93
CDL32-40-2/CDL32-40	715	430	1145	260	208	102
CDL32-50-2/CDL32-50	890	490	1380	330	255	172
CDL32-60-2/CDL32-60	960	490	1450	330	255	176
CDL32-70-2/CDL32-70	1030	490	1520	330	255	188
CDL32-80-2/CDL32-80	1100	490	1590	330	255	192
CDL32-90-2/CDL32-90	1170	550	1720	330	255	218
CDL32-100-2/CDL32-100	1240	550	1790	330	255	222
CDL32-110-2/CDL32-110	1310	590	1900	360	285	259
CDL32-120-2/CDL32-120	1380	590	1970	360	285	263
CDL32-130-2/CDL32-130	1450	660	2110	400	310	327
CDL32-140-2/CDL32-140	1520	660	2180	400	310	331

The overall dimensions of the single-phase motor and explosion-proof motor are a little different. Pls contact us for details.